

WL3105

2*6W Up & Down Square Wall Lighting



Description

Slim wall light;
No visible screws;
IP65;

Finish

Black/White/Bronze

Material

Aluminium
SUS316 Stainless steel



TECHNICAL CHARACTERISTICS

Light source

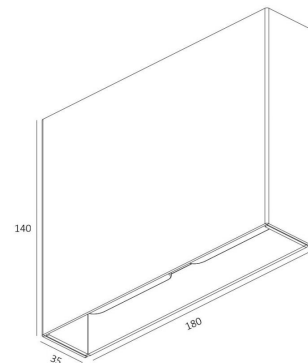
Light source: Luxeon Z ES
Output (W): 2*4.2W (350mA, 12V)
Total power consumption (W): 2*4.2W
Color temperature: 2700K/3000K/4000K
CRI: ≥ 90
Photobiological risk: RG1
Real Lumen: 450lm without honeycomb
Qty Leds: 16
Lm/Real W: 53
Life Time: 50.000h L90B20
MacAdam steps: 3
UGR: 14

GEAR

This product is supplied with gear.

Luminaire

Wall light suitable for indoor and outdoor area
crossing: No
Warranty: 5 Years



The photograph may not match the reference exactly. Please read the product description to identify the finish.